

Sunburst Mounting Instructions

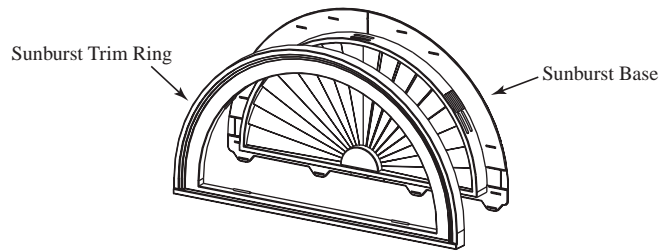
Installation Instructions

Size	Part Number
30"	MIFSBGxxx
33 5/8"	MIF33SBGxxx
37 5/8"	MIF37SBGxxx

Follow these instructions for surface or siding installation

Kit Contains:

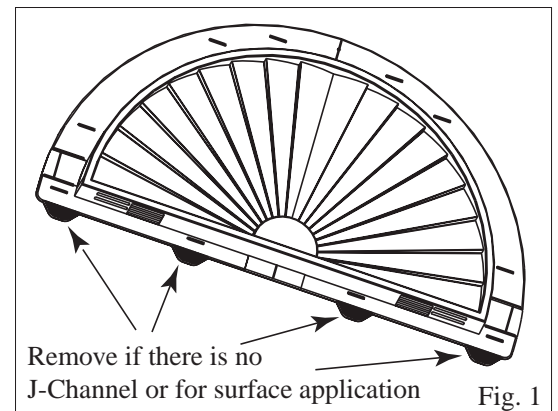
- 1 pc. Sunburst Base
- 1 pc. Sunburst Trim Ring



Note: The instructions below explain how to install the Sunburst above a window. The Sunburst can also be used on a gable end as a decorative accent. Once Trim Ring is installed, the nailing flange is covered for a finished look.

Step 1

Choose the location of your Sunburst Base. If it's being installed above a window with J-Channel, the tabs on the bottom of the Sunburst Base will provide proper spacing between the window and Sunburst. If the Sunburst Base is being installed in a location where the tabs are not needed (above a window with no J-Channel, in a gable, or a surface application), remove the tabs by cutting through the groove on the back of each tab. See Figure 1 at right. Mark the wall with a vertical line at the center of the window.

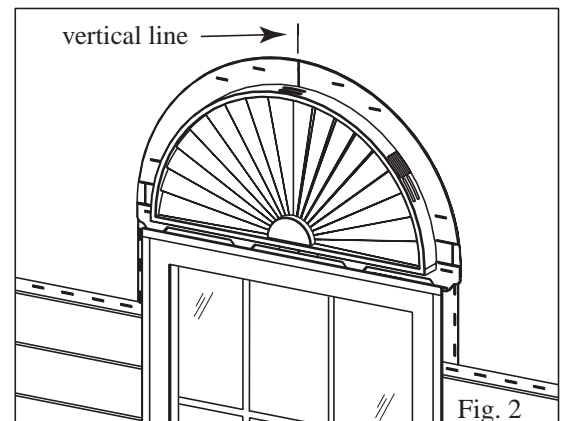


Step 2

Remove the Trim Ring from the base.

Step 3

Using the vertical line, center the Sunburst over the window and place the tabs in the J-Channel. See Figure 2 at right. If there is no J-Channel, place the base without the tabs directly over the window. Fasten the base to the wall using siding nails or other suitable fasteners.



Step 4 For Siding Installation:

Install siding per manufactures installation instructions.

Step 5

Lock on the Trim Ring into one of the six positive locking positions for the perfect finishing touch.

