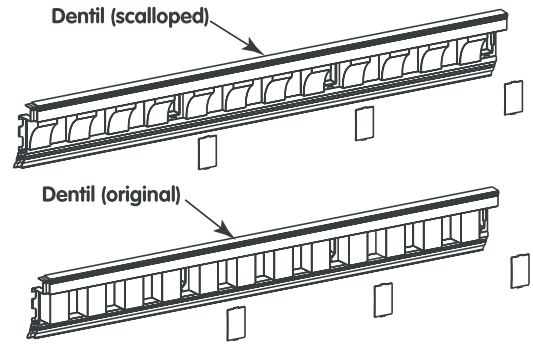


MID-AMERICA EXTERIOR DENTIL TRIM

The Exterior Dentil Trim instantly adds distinctive detail to all homes - brick, vinyl, aluminum or wood siding. It installs easily and ensures a perfect custom fit with no face nailing, caulking or painting necessary. A unique "spring lap molding" feature doubles as a built-in undersill to accommodate siding and overlaps brick for a perfect finished look. Inside and outside corners are sold separately to accent the exterior dentil trim and eliminate the need for difficult miters, ensuring a custom fit with no gaps.

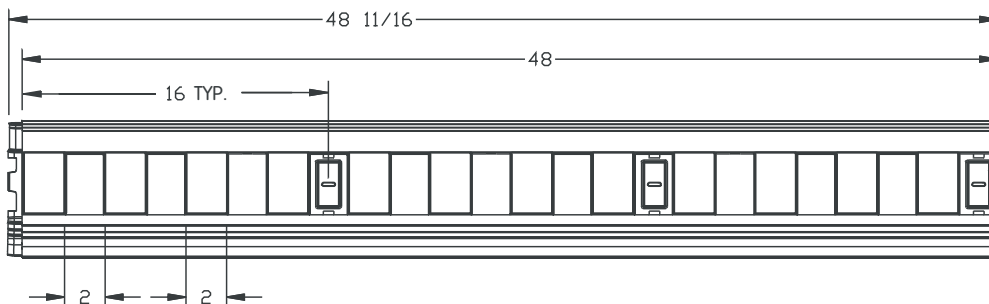
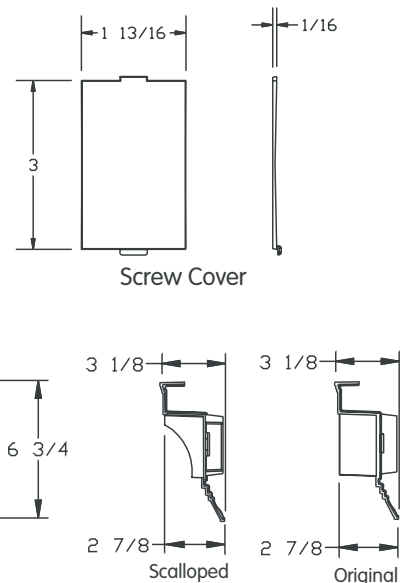
FEATURES:

- Available in popular colors
- Paintable version available
- Installs easily
- Hidden fastening system
- Ends interlock to prevent gaps
- Textured
- Maintenance Free
- Two styles available: Original and Scalloped
- Screw cover hides the screw pocket for a finished look
- Spring lap molding overlaps siding or brick for a perfect finish look



SPECIFICATIONS:

Material:	UV stabilized copolymer Color molded in Paintable/Stainable HIPS available Stipple Grain Finish
Fabrication:	Single piece molded construction with screw covers
Attachment:	3 screws per 4 ft. piece Screw covers snap in place to hide screw pockets
Dimensions:	See drawing below (all dimensions in inches) Packaging: (8) 4 ft. pieces per box Installation hardware included
Patent No:	U.S. & Foreign Patents Pending



Exterior Dentil