

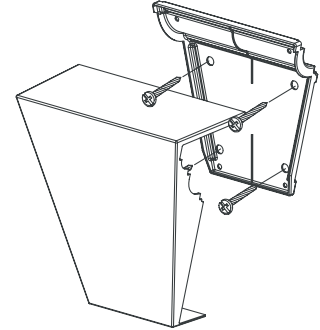
MID-AMERICA

9" Window Header Keystone

The Window Header Keystone is a decorative exterior accent for the 9" Window Header. This simple two piece design allows it to be easily installed on 9" Window Headers using Shutter Loks or screws. Combine the Window Header (or two) with a Window Header Keystone to custom fit windows from 12" to 146 5/8".

FEATURES:

- Available in popular colors.
- Paintable version available.
- Maintenance Free.
- Easy two piece construction for easy assembly.
- Installs fast and easy on any surface including brick or siding.



SPECIFICATIONS:

Material:	UV stabilized copolymer Color molded in Paintable/Stainable HIPS available. Matte finish
Fabrication:	Molded construction.
Attachment:	Shutter Loks or Screws directly to 9" Window Mantel
Dimensions:	See drawing below (all dimensions in inches)
Packaging:	1 box (includes: Keystone, Keystone Tray, and screws)
Patent No:	U.S. & Foreign Patents Pending

