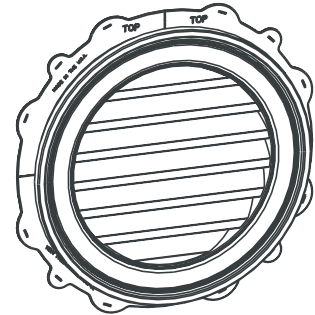


# MID-AMERICA 22" ROUND GABLE VENT

The 22" Round Gable Vent is a functional and decorative vent designed to provide unforced free air flow ventilation of attics or similar spaces when used in conjunction with proper soffit ventilation practices. Local ventilation codes apply when installing this unit.

## FEATURES:

- Easy to install on all types of exteriors.
- Single unit body construction of vent housing.
- J-Channel eliminated
- Double baffles for increased weather resistance.
- Fully screened for complete insect protection.
- Finish trim ring adjusts for a range of siding thickness.



## SPECIFICATIONS:

Material:	Vent: UV stabilized copolymer; Color molded in; .100" nominal wall Ring: UV stabilized copolymer; Color molded in; .100" nominal wall Baffle: Black PP; .025" wall Screen: Fiberglass; 18x16 mesh Paintable/Stainable HIPS available
Fabrication:	Single piece molded unit Baffle and screen sealed to interior side of unit Trim ring single piece molded unit
Attachment:	Screw or nail directly to any surface.
Packaging:	1 assembly per box
Vent Free Area:	50 sq. in.
Rough Opening:	16" x 16"
Dimensions:	See drawing below
Patent No:	4875318, 5349799

Canadian Patent No: 1280024

